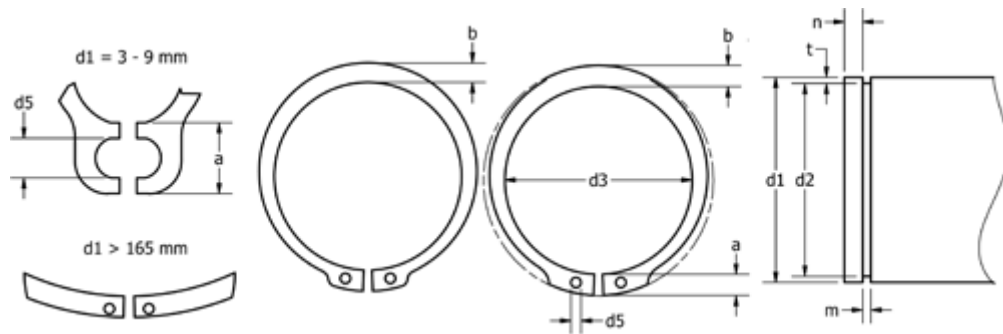


Data Sheet



Article number: 01010721
 Description: Retaining ring A 55 DIN 471
 Stainless 411
 Note: Fitted with ZGA pilers

Measures



a max	= 7.2	FN kN	= 4.2	s	= 2.00
AN mm ²	= 252.0	FRg kN	= 11.40	t	= 1.50
b	= 5.4	FR kN	= 71.40	tol	= -0.30
d1	= 55	g	= 2.5	tol	= -0.07
d2	= 52.0	K kN-mm	= 230.00	tol	= +0,46-1,10
d3	= 50.8	m min	= 2.15	Tong	= ZGA-3
d5 min	= 2.5	n abl x 1000	= 9.0	Weight kg/1000	= 11.400
Description	= A55	Nominal drive	= 4.5		